

SPECIFICATION SHEET

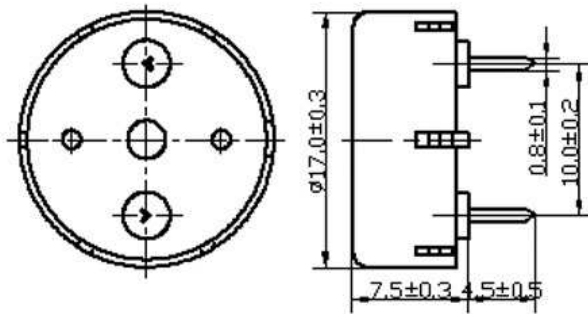
ELECTRONIC SPECIFICATION:



TE1770A SERIES:

| Type | UNIT | TE1770A |
|----------------------------|------|-----------|
| *Min. Sound Output at 10cm | dB | 85 |
| Rated Voltage | Vp-p | 9 |
| Operating Voltage | Vp-p | 1~30 |
| Resonant Frequency | Hz | 4000±500 |
| *Max. Current Consumption | mA | 2 |
| Capacitance at 1,000HZ | pF | 15000±30% |
| Operating Temperature | ℃ | -20 ~ +70 |
| Storage Temperature | ℃ | -30 ~ +80 |
| Weight | g | 1.3 |

* Value applying at rated voltage



Shen Zhen Tianer Technology CO.,Ltd.

NO.421,4th Floor,KangLe Building,HuaQingNorth

TEL:0086-755-82799228

Mobile:(0)13603060099

E-mail:office@youbuzzer.com

<http://www.itianer.com>