

SPECIFICATION SHEET

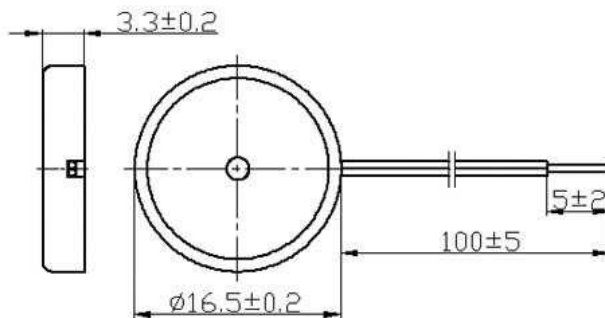
ELECTRONIC SPECIFICATION:



TE1740A SERIES:

Type	UNIT	TE1740E
*Min. Sound Output at 10cm	dB	80
Rated Voltage	Vp-p	9
Operating Voltage	Vp-p	1~25
Resonant Frequency	Hz	4000±500
*Max. Current Consumption	mA	2
Capacitance at 1,000HZ	pF	24000±30%
Operating Temperature	℃	-20 ~ +60
Storage Temperature	℃	-30 ~ +70
Weight	g	0.9

* Value applying at rated voltage



Shen Zhen Tianer Technology CO.,Ltd.
 NO.421,4th Floor,KangLe Building,HuaQingNorth
 TEL:0086-755-82799228
 Mobile:(0)13603060099
 E-mail:office@youbuzzer.com
<http://www.itianer.com>