

SPECIFICATION SHEET

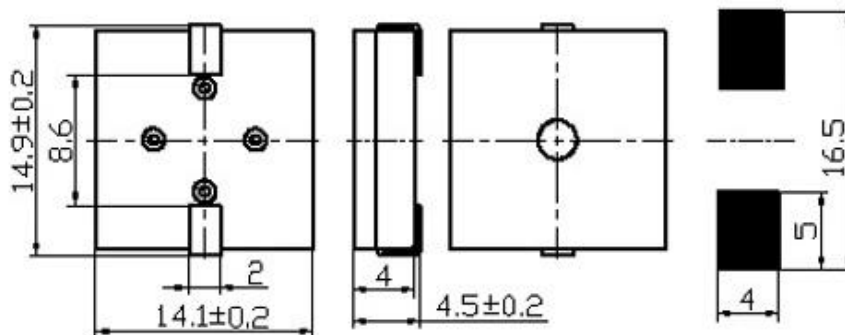
ELECTRONIC SPECIFICATION:



TE14C SERIES:

Type	UNIT	TE14C05
*Min. Sound Output at 10cm	dB	75
Rated Voltage	Vp-p	5
Operating Voltage	Vp-p	1~20
Resonant Frequency	Hz	4000±500
.Rated Consumption	mA	2.0
Capacitance at 120 HZ	pF	12000±30%
Operating Temperature	℃	-20 ~ +70
Storage Temperature	℃	-30 ~ +80
Weight	g	1.5

Value applying rated voltage (4000 Hz, 1/2 duty, square wave)



Shen Zhen Tianer Technology CO.,Ltd.

NO.421,4th Floor,KangLe Building,HuaQingNorth

TEL:0086-755-82799228

Mobile:(0)13603060099

E-mail:office@youbuzzer.com

http://www.itianer.com