

SPECIFICATION SHEET

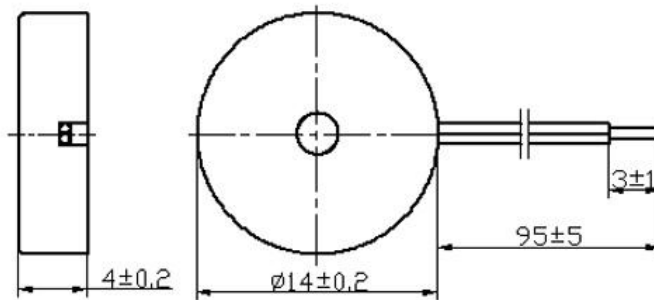
ELECTRONIC SPECIFICATION:



TE1440A SERIES:

Type	UNIT	TE1440A
*Min. Sound Output at 10cm	dB	85
Rated Voltage	Vp-p	10
Operating Voltage	Vp-p	1~20
Resonant Frequency	Hz	4800±500
*Max. Current Consumption	mA	2
Capacitance at 1,000HZ	pF	15000±30%
Operating Temperature	℃	-20 ~ +60
Storage Temperature	℃	-30 ~ +70
Weight	g	1

* Value applying at rated voltage



Shen Zhen Tianer Technology CO.,Ltd.

NO.421,4th Floor,KangLe Building,HuaQingNorth

TEL:0086-755-82799228

Mobile:(0)13603060099

E-mail:office@youbuzzer.com

<http://www.itianer.com>