

## SPECIFICATION SHEET

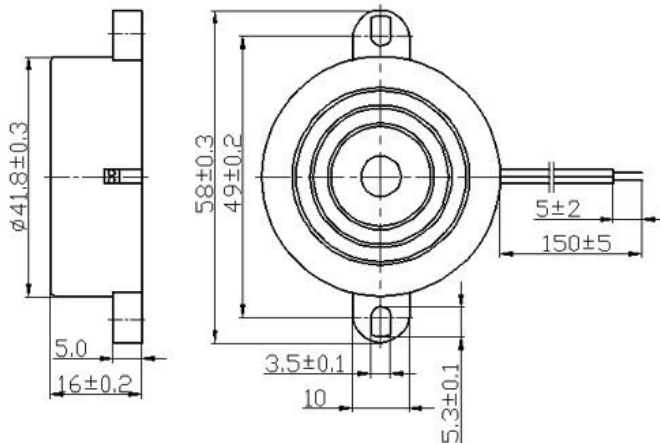
### ELECTRONIC SPECIFICATION:



### TE42C220W SERIES:

Type	UNIT	TE42C220W
*Min. Sound Output at 10cm	dB	100
Rated Voltage	VAC	220
Operating Voltage	VAC	50~250
Resonant Frequency	Hz	2900±500
*Max. Current Consumption	mA	150
Tone Nature		Continuous
Operating Temperature	℃	-20 ~ +70
Storage Temperature	℃	-30 ~ +80
Weight	g	18

\* Value applying at rated voltage



Shen Zhen Tianer Technology CO.,Ltd.

NO.421,4th Floor,KangLe Building,HuaQingNorth

TEL:0086-755-82799228

Mobile:(0)13603060099

E-mail:office@youbuzzer.com

http://www.itianer.com