

SPECIFICATION SHEET

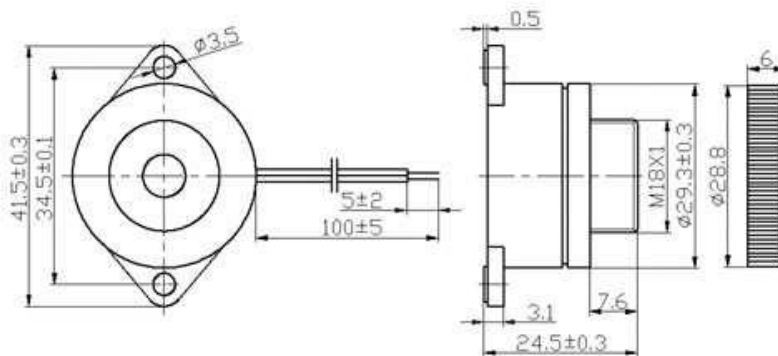
ELECTRONIC SPECIFICATION:



TE3025X SERIES:

Type	UNIT	TE3025AX	TE3025BX
*Min. Sound Output at 10cm	dB	90	90
Rated Voltage	VDC	12	12
Operating Voltage	VDC	3~20	3~20
Resonant Frequency	Hz	3500±500	3500±500
*Max. Current Consumption	mA	10	10
Tone Nature		Continuous	Pulse 1-4Hz
Operating Temperature	℃	-20 ~ +70	
Storage Temperature	℃	-30 ~ +80	
Weight	g	13	

* Value applying at rated voltage



Shen Zhen Tianer Technology CO.,Ltd.
 NO.421,4th Floor,KangLe Building,HuaQingNorth
 TEL:0086-755-82799228
 Mobile:(0)13603060099
E-mail:office@youbuzzer.com
http://www.itianer.com