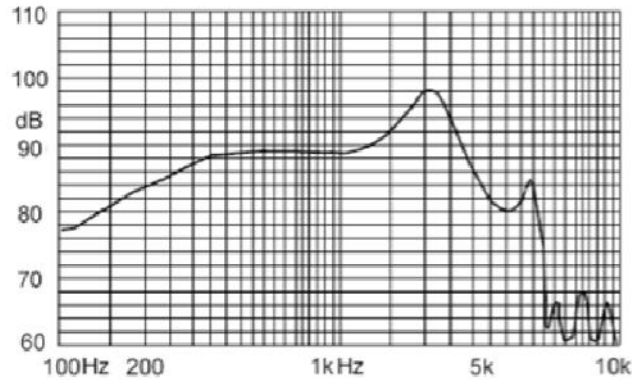
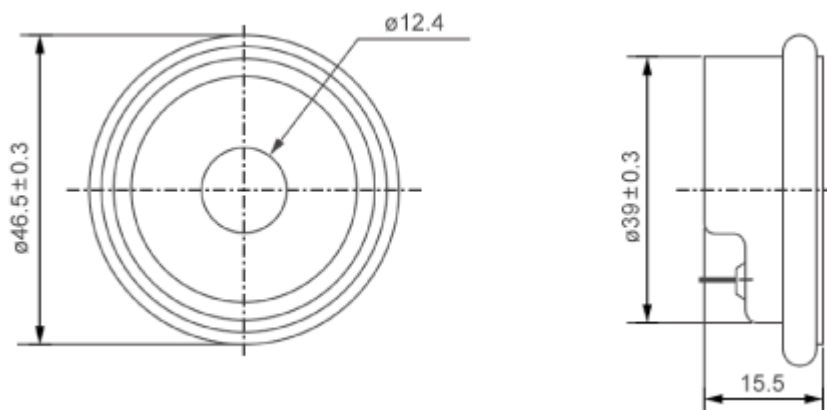


SPECIFICATION SHEET

ELECTRONIC SPECIFICATION:



Type	TES-3	
DC Resistance	19Ω±10%	
Impedance (at 1 KHz)	100Ω±25%	
Frequency Range	2000Hz±20%	
S.P.L	24Vp-p 1000Hz/1m	≥95dB



Shen Zhen Tianer Technology CO.,Ltd.

NO.421,4th Floor,KangLe Building,HuaQingNorth

TEL:0086-755-82799228

Mobile:(0)13603060099

E-mail:office@youbuzzer.com

<http://www.itianer.com>