

**SPECIFICATION SHEET**

ELECTRONIC SPECIFICATION:

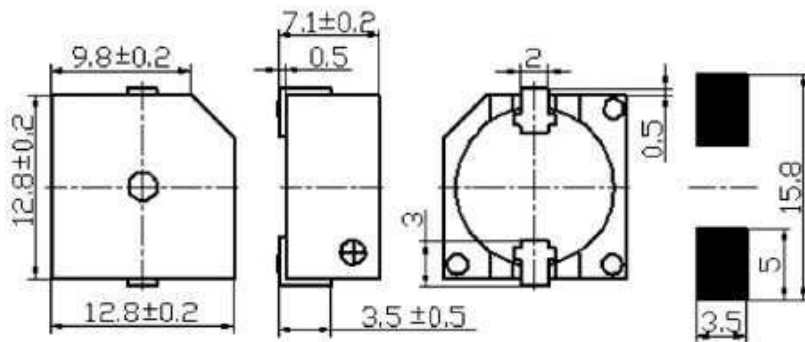


**HCT14B SERIES:**

Type	HCT1401B	HCT1405B	HCT1412B
Rated Voltage (V)	1.5	6	12
Operating Voltage (V)	1~3	4~8	8~16
Rated Current (MA)	< 30	< 40	< 40
Coil Resistance (ohm)	16 ± 3	45 ± 5	140 ± 14
Coil Impedance (ohm)	40	80	240
Sound Output at 10cm (dB)	> 80	> 85	> 85
Resonant Frequency (Hz)	2400	2400	2400
Operating Temperature (C)	-25 ~	-25 ~ +70	-25 ~ +70
Storage Temperature (C)	-30 ~ +85	-30 ~ +85	-30 ~ +85
Weight (g)	2	2	2

Value applying rated voltage (2400Hz, 1/2duty, square wave)

Value applying(2400Hz, sine ware, measuring current 60 uA



Shen Zhen Tianer Technology CO.,Ltd.

NO.421,4th Floor,KangLe Building,HuaQingNorth

TEL:0086-755-82799228

Mobile:(0)13603060099

E-mail:office@youbuzzer.com

http://www.itianer.com