

SPECIFICATION SHEET

ELECTRONIC SPECIFICATION:

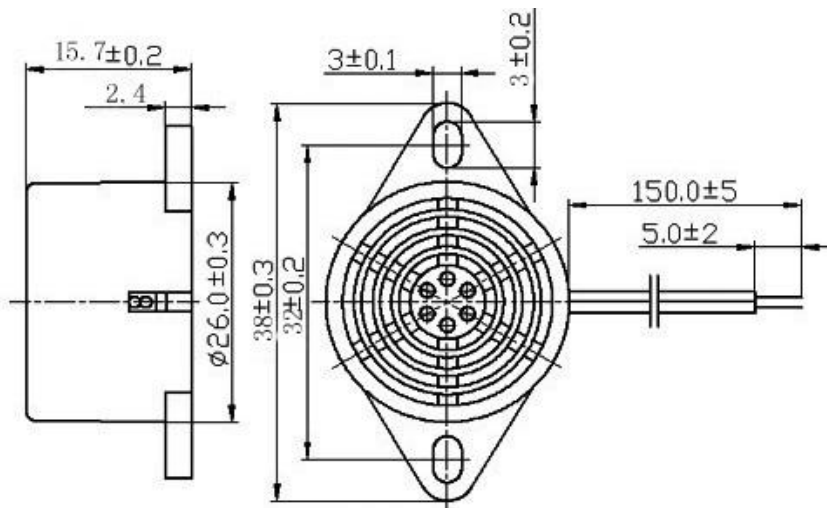


TE1048 SERIES:

Type	TE1048-6	TE1048-12	TE1048-24
Rated Voltage (V)	6	12	24
Operating Voltage (V)	4.5~7.5	9~15	20~28
Rated Current (MA)	< 30		
Sound Output at 10cm (dB)	> 85	> 85	> 85
Resonant Frequency (Hz)	400 ±100		
Tone Nature	Continuous		
Operating Temperature (C)	25~+70		
Storage Temperature (C)	-30~+80		
Weight (g)	8.5		

Value applying rated voltage (DC)

Value applying(Min. operational DC voltage)



Shen Zhen Tianer Technology CO.,Ltd.
 NO.421,4th Floor,KangLe Building,HuaQingNorth
 TEL:0086-755-82799228
 Mobile:(0)13603060099
 E-mail:office@youbuzzer.com
<http://www.itianer.com>