

**SPECIFICATION SHEET**

ELECTRONIC SPECIFICATION:

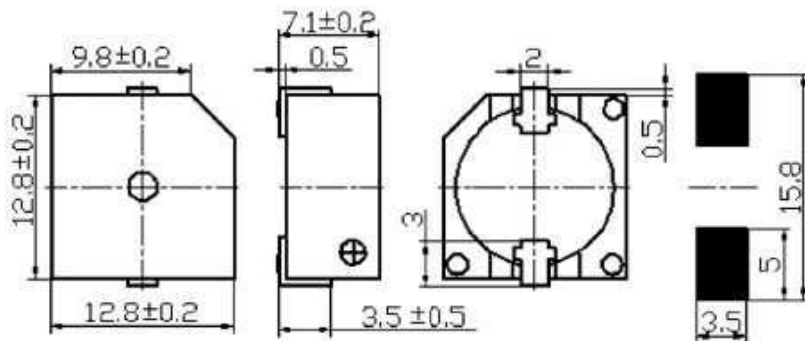


***HCT14UX* SERIES:**

Type	HCT1401UX	HCT1405UX	HCT1412UX
Rated Voltage (V)	1.5	5	12
Operating Voltage (V)	1.2~3	3~7	8~15
Rated Current (MA)	< 30	< 30	< 30
Sound Output at 10cm (dB)	> 80	> 85	> 85
Resonant Frequency (Hz)	2400 ± 400	2300 ±300	2300 ±300
Response Time (ms)	< 50	< 50	< 50
Operating Temperature (C)	-10~+50	-25~+70	-25~+70
Storage Temperature (C)	-15~+60	-30~+80	-30~+80
Weight (g)	2	2	2

Value applying rated voltage (DC)

Value applying( Min. operational DC voltage )



Shen Zhen Tianer Technology CO.,Ltd.

NO.421,4th Floor,KangLe Building,HuaQingNorth

TEL:0086-755-82799228

Mobile:(0)13603060099

E-mail:office@youbuzzer.com

http://www.itianer.com